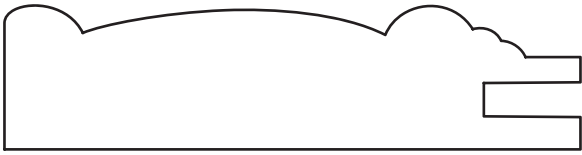
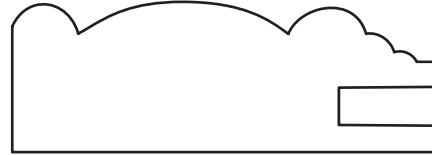


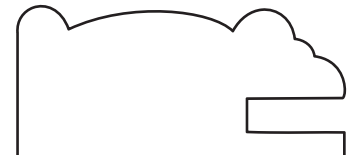
Mitred Profiles



2100



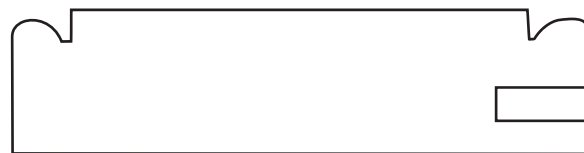
2150



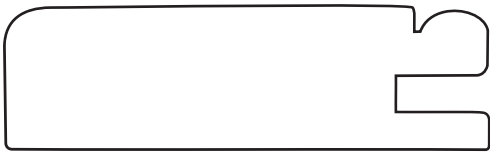
2175



2200



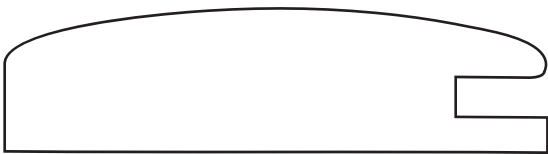
2203



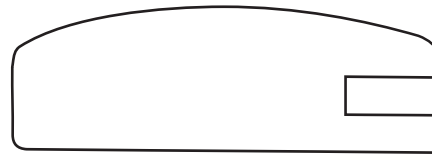
2250



2300



2400



2450



2500



2575



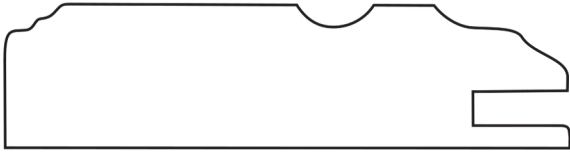
2600



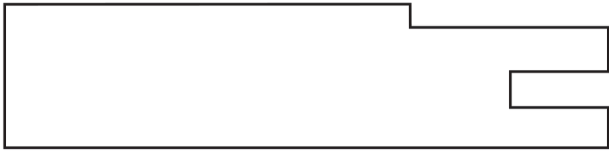
2675



Mitred Profiles



2700



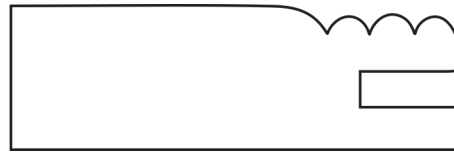
2800



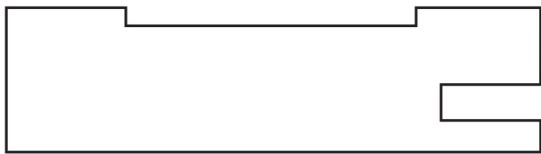
2875



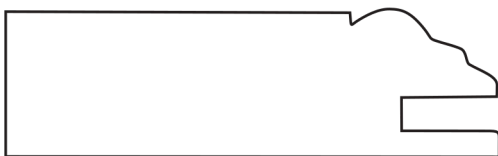
2900



2950



3100



3200



3350

Mitred Profiles



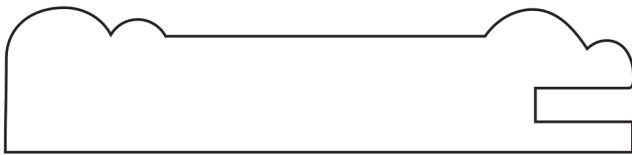
3400



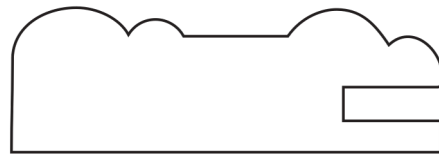
3500



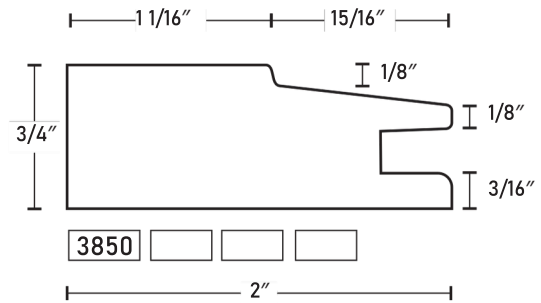
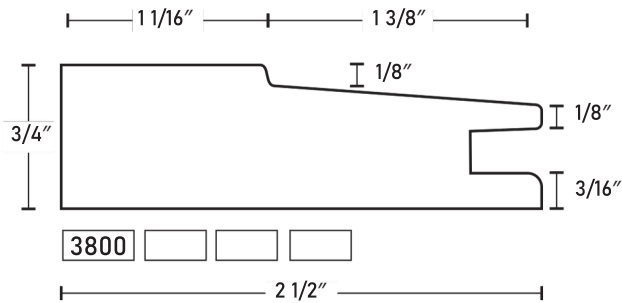
3600



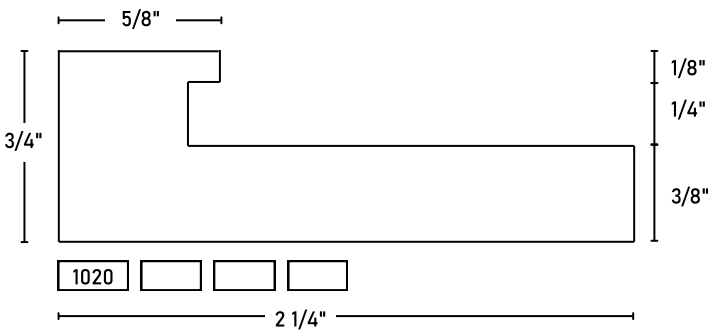
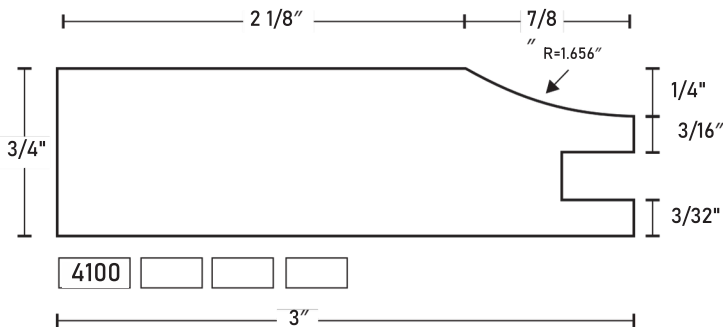
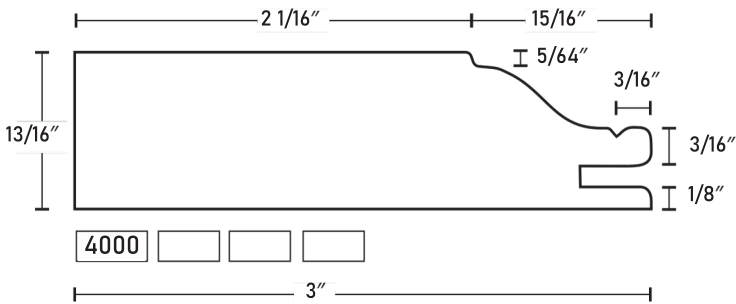
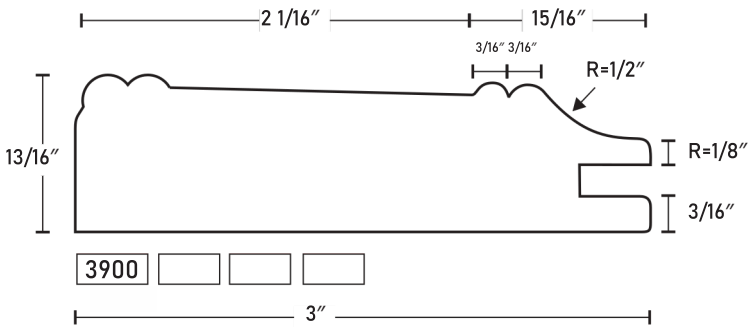
3700



3750



Mitred Profiles



*Note: The 1020 profile has 5/8" stiles and rails as standard. The minimum stile and rail width is 3/8"; the maximum stile and rail width is 1 1/2".

As the face stile and rail width increases or decreases, the back stile and rail width increases or decreases accordingly.